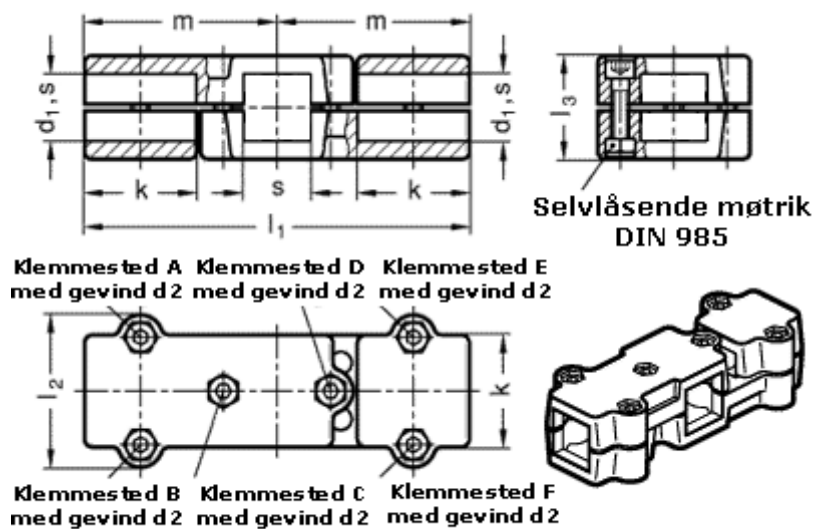


Article number: 20195V40602SW

Description: E+G double T-angel clamps
GN 195-V40-60-2-SW

Measures



d2 = M8
k = 60
l1 = 203
l2 = 79
l3 = 59
m = 101.5
s = V 40